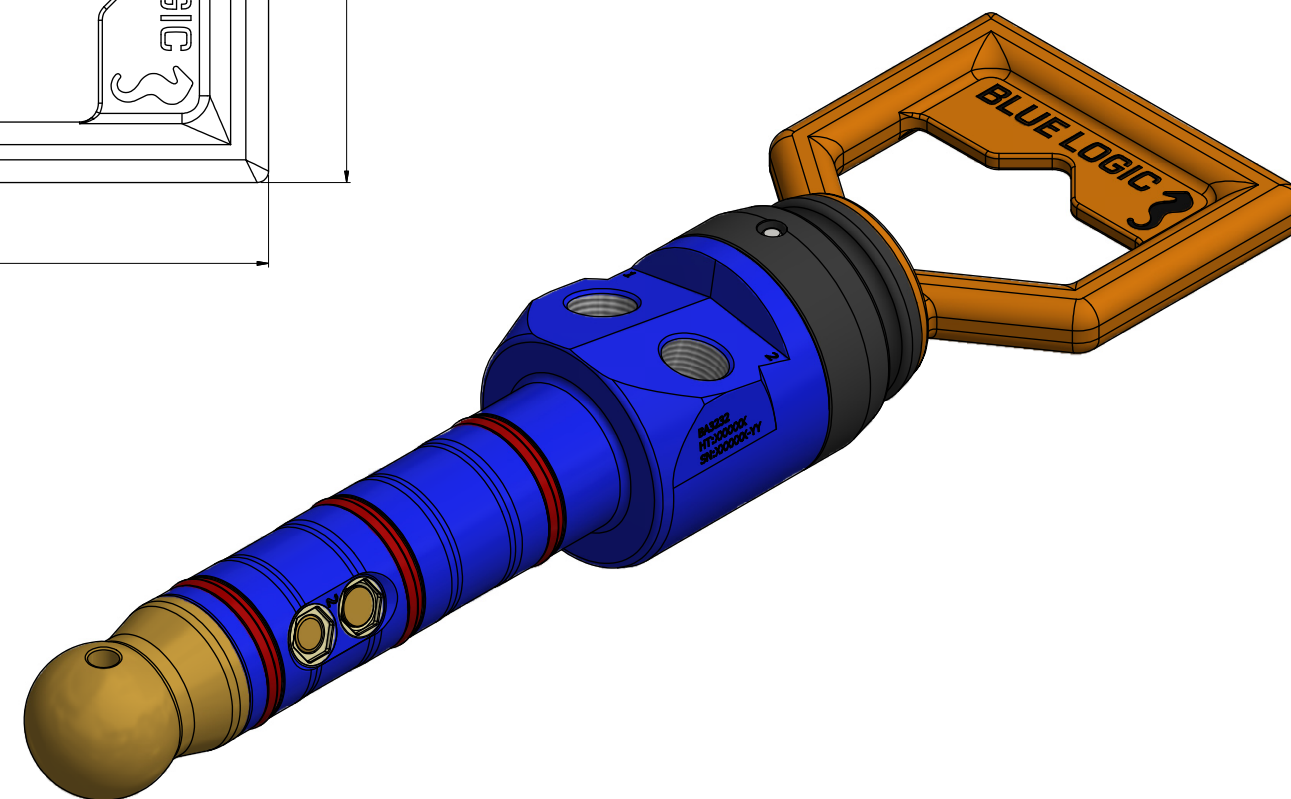
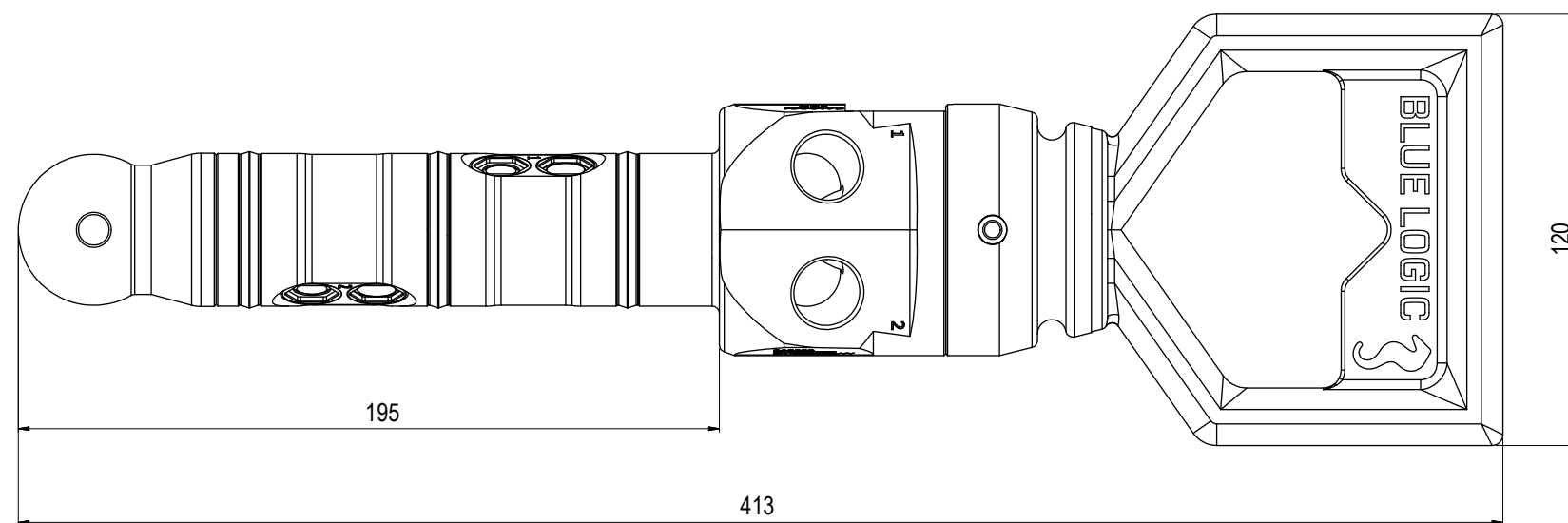
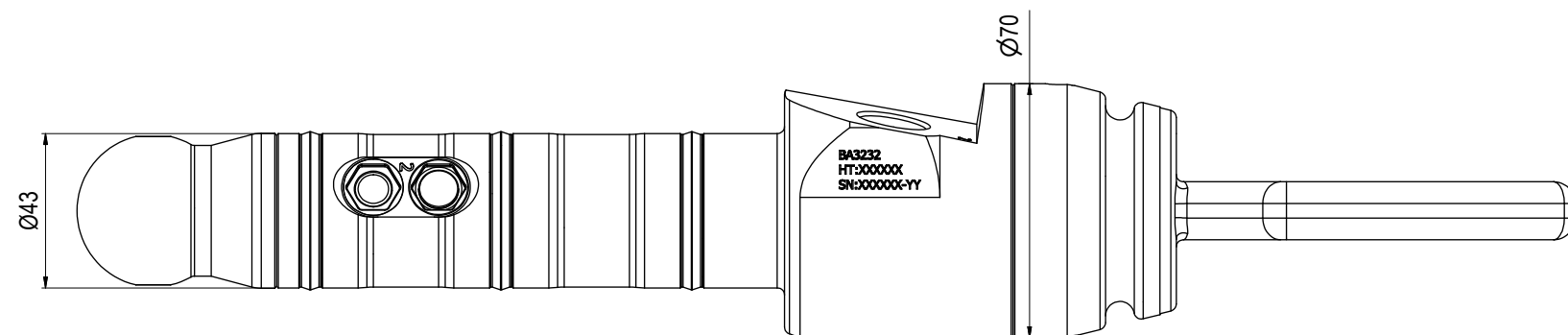


NOTE: 1  
 DESIGN CODE:  
 API 17H  
 ISO 13628-8

NOTE: 2  
 TECHNICAL CLASSIFICATION:  
 Article Type: 001-Hotstabs  
 Main Group: 1.03. Ø43-Hotstab  
 Intermediate Group: 1.2.1. Stab  
 Sub Group: 1.2.5.2. Dual

NOTE: 3  
 INTERFACE INFORMATION:  
 Pressure Rating Bar: 690  
 Material: Intervention  
 Weight: 4,6 kg  
 Volume: 0,66 dm<sup>3</sup>  
 Surface Area: 1414 cm<sup>2</sup>  
 Hydraulic: BSP 1/2"  
 Mechanical: N/A  
 Electrical: N/A  
 Com. & Protocol: N/A

NOTE: 4  
 SPAREPARTS:  
 BA5288



Rev.	Date	Reason for issue	Revision change	Made	Chk'd	Appr.
03	10.1.2017	9-IFU (Issued for Use)		HNJ	LAE	HNJ
02	30.4.2014	9-IFU (Issued for Use)		WTJ	HNJ	WTJ
01	4.1.2013	7-IFC (Issued for Construction)		HNJ	NA	NA



Dwg Scale:	NTS
Dwg Proj:	
Dwg Format:	A3

Drawing title:	Ø43 DP Stab 10k Interv wCV BSP 1/2" ID8mm
Drawing number:	BA3231