



**Seadraulics**  
Subsea Fluid Mechanics

## ROV HANDLE FLEX MOUNT



### FEATURES

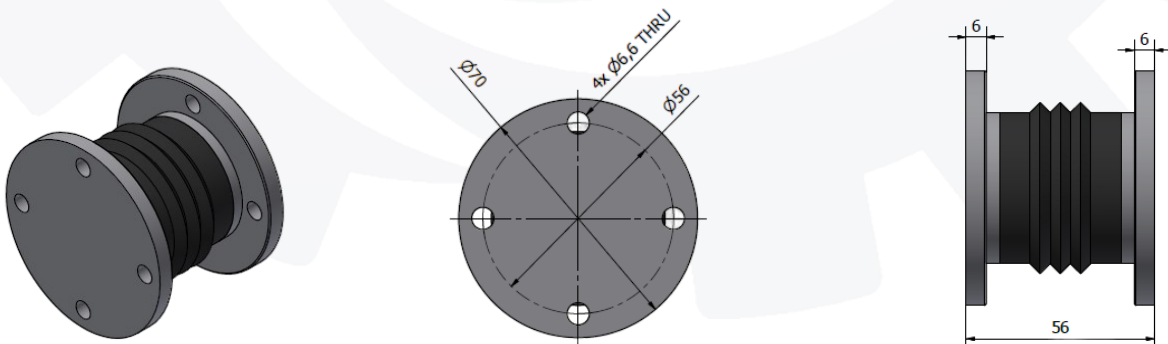
- Universal Joint with 30 Degree Bend in Two Axis
- 170 Nm Torque Load Capacity
- Ø70mm Flanged Standard Tooling Interface
- Poly Urethane Encapsulated Design

### DESCRIPTION

Seadraulics Flex Mount is a poly urethane encapsulated design which replaces the commonly used wire rope designs that suffer fatigue and droop. Typically, more compact and robust design for subsea ROV manipulator operations.

### TECHNICAL SPECIFICATIONS

Material:	SS 316/Urethane
Dimensions:	W = 70mm, H = 56mm
Tooling Interface:	Ø70mm flanged standard
Bolt Interface:	6.5mm hole for M6, PCD of 56mm
Load Capacity:	170 Nm (125ft lbs)
Weight:	0.5 kg



Seadraulics Pty Ltd  
1/11 Anvil Way  
Welshpool WA 6106 AUSTRALIA

Phone: +61 427 080 404  
Email: [info@seadraulics.com](mailto:info@seadraulics.com)  
Web: [www.seadraulics.com](http://www.seadraulics.com)