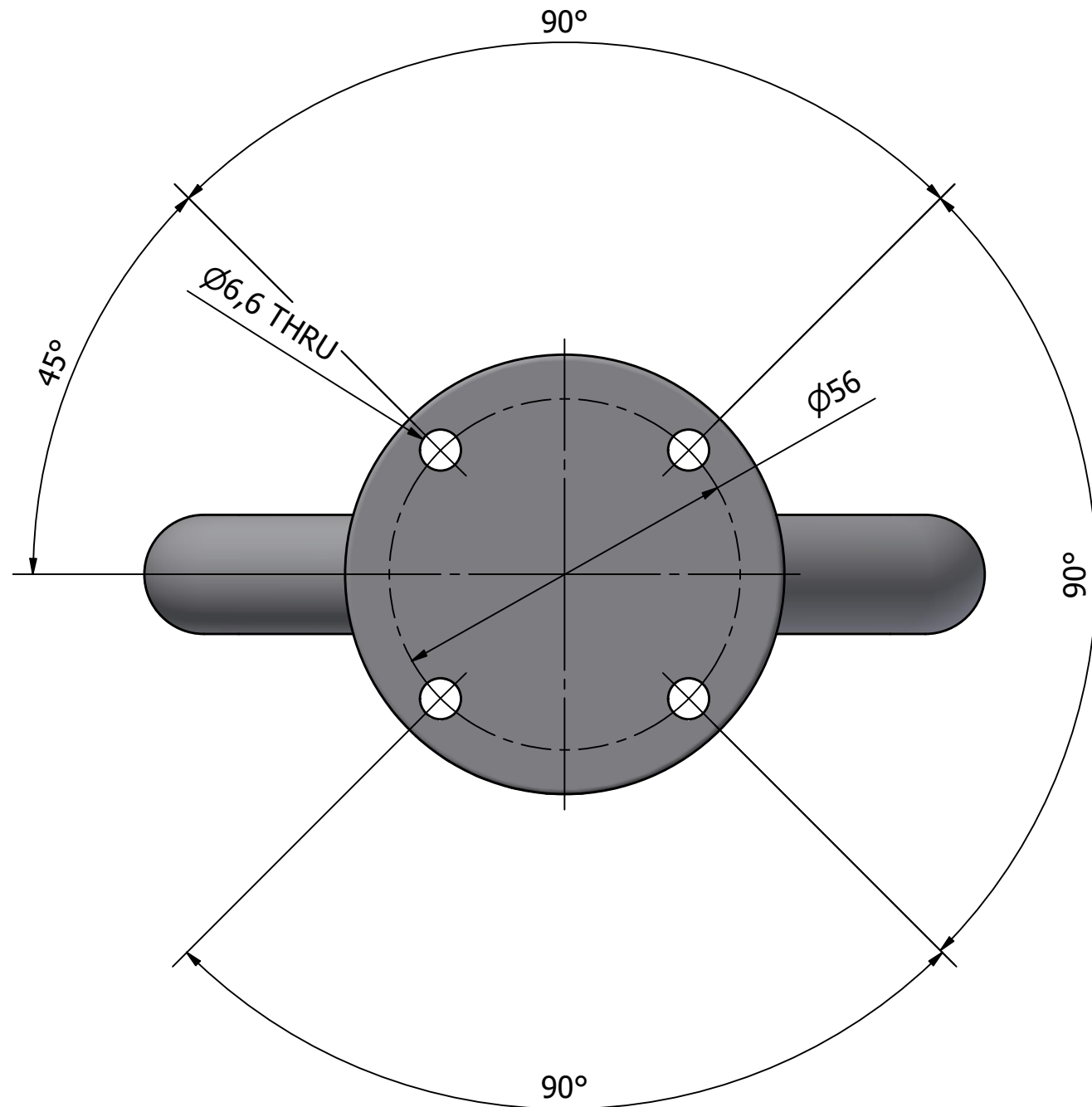


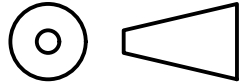
Notes

Item	Description
1	
2	



A Projection Angle : Third 	Proprietary Information Property of Seadraulics Pty Ltd This document contains proprietary information and is NOT to be reproduced, or data contained herein to be used by your company or released to a third party, without specific written authorization in each case.	Weight in Air:0 kg	Weight in Sea Water:-0 kg	Dimensions: mm/Deg A	
		Date :16/07/2021	Author:midwo		
		Drawing Number: 3000-01-003-02	Material : Stainless Steel 316		
		Title: Cast Handle Tolerances	Scale 1 : 2	Sheet 1 of 2	



A Projection Angle : Third 	Proprietary Information Property of Seadraulics Pty Ltd This document contains proprietary information and is NOT to be reproduced, or data contained herein to be used by your company or released to a third party, without specific written authorization in each case.	Weight in Air:0 kg	Weight in Sea Water:-0 kg	Dimensions:	A
		Date :16/07/2021		Author:midwo	
		Drawing Number: 3000-01-003-02		Material : Stainless Steel 316	
		Title: Cast Handle Post Machining		Scale 1 : 1	Sheet 2 of 2